

BH1870R

70-gallon receptacle with recycled plastic planks, open top, two plastic liners, rubber feet, and optional decals



Material

The receptacle is 31.51" tall and is composed of nominal 1" x 4" recycled plastic planks with choice of horizontal or vertical plank placement and an extruded aluminum frame. The receptacle is designed to be used as large capacity waste container or as a two-stream recycler. Flexible modular design allows for customization; call for information.

The recycled plastic planks are impervious to moisture and corrosion, do not require the application of sealants or preservatives, and will never need painting or staining throughout the product's life.

The one-piece top is made from 11-gauge steel with two 13.10" wide and 11.32" deep waste openings and lifts off for easy waste disposal. The top features a middle divider designed to support segregated waste disposal.

Optional decals are available: "Bottles/Cans" with recycling logo, "Mixed Recycling" with recycling logo, "Paper" with recycling logo or "Trash" decal—custom decals also available. Specify black or white lettering. Select two sets of decals per container for a total of four: each set will be placed on a front edge and adjacent edge. Decals will be factory installed and must be specified at the time of order.

The receptacle is designed to be portable for flexibility in placement or surface mounted using .5" predrilled holes in the base to prevent movement. The rubber feet are adjustable to assist in leveling the receptacle. Two reusable plastic, 35-gallon capacity liners are made of high-density polyethylene. The mounting hardware is not included.

Finish

Fade-resistant, powder coated steel and aluminum components feature a state-of-the-art primer proven to prevent rusting. Treated components exceed the industry standard by 34% in testing by independent sources.

Color

See website or sales representative for color choices.

Assembly

The receptacle ships fully assembled and ready for use.

Maintenance

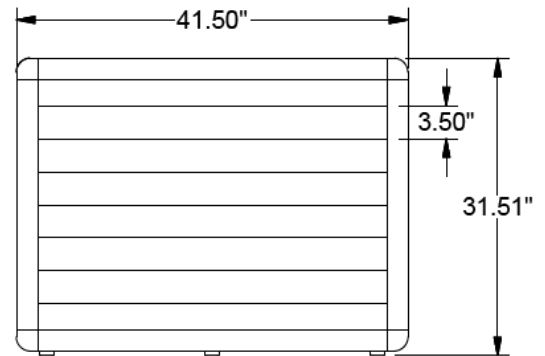
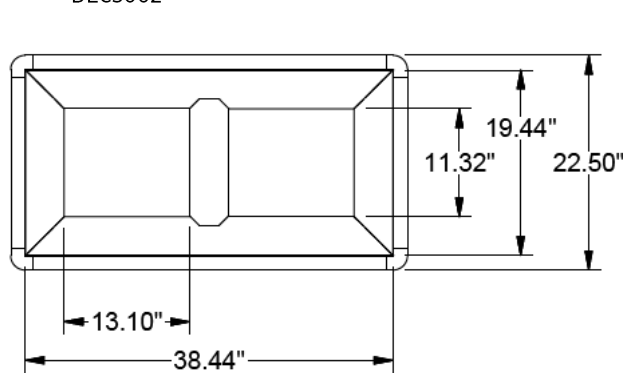
The product is virtually maintenance-free and requires only periodic cleaning with a sponge and a mild detergent and water solution to remove surface dirt. Do not clean with solvent or petroleum base products.

Warranty

20-year limited structural warranty on recycled plastic from the date of purchase.

Replacement Parts

Trash Decal White	DEC2000
Trash Decal Black	DEC2002
Paper Decal w/Logo White	DEC2004
Paper Decal w/Logo Black	DEC2006
Bottles/Cans w/Logo White	DEC2008
Bottles/Cans w/Logo Black	DEC2010
Mixed Recycling w/Logo White	DEC5000
Mixed Recycling w/Logo Black	DEC5002



Best selection, lowest prices.

Call us for Quantity Discounts and Custom Designs!

800.664.5340 www.recycleaway.com