

E48TPRT

48-gallon receptacle with steel panels, recycler top, plastic liner, and rubber feet



Embossed pattern shown.

Replacement Parts

Black Plastic Liner R-P48PLR

Accessories

Hold Down Kit PANELHLD

Material

The 48-gallon recycler is composed of 14-gauge steel panels supported by a non-rusting aluminum frame. The steel panels feature a choice of three uniformly spaced architectural perforated patterns. The available patterns are ovals, parquet, or embossed.

The recycler top is made of high-density polyethylene with a 5" diameter opening and choice of "TRASH", "PAPER", "BOTTLES/CANS" decal or no decal. The top also includes two 4" web security straps. The top lifts off for easy trash removal. Receptacle includes rubber feet and a reusable plastic liner made of black high-density polyethylene.

The receptacle is designed to be portable for flexibility in placement or surface mounted to prevent movement; optional hold down kit is available.

Finish

Fade-resistant, powder coated steel panels feature a state-of-the-art primer proven to prevent rusting. Treated components exceed the industry standard by 34% in testing by independent sources.

Color

See website or sales representative for color choices.

Assembly

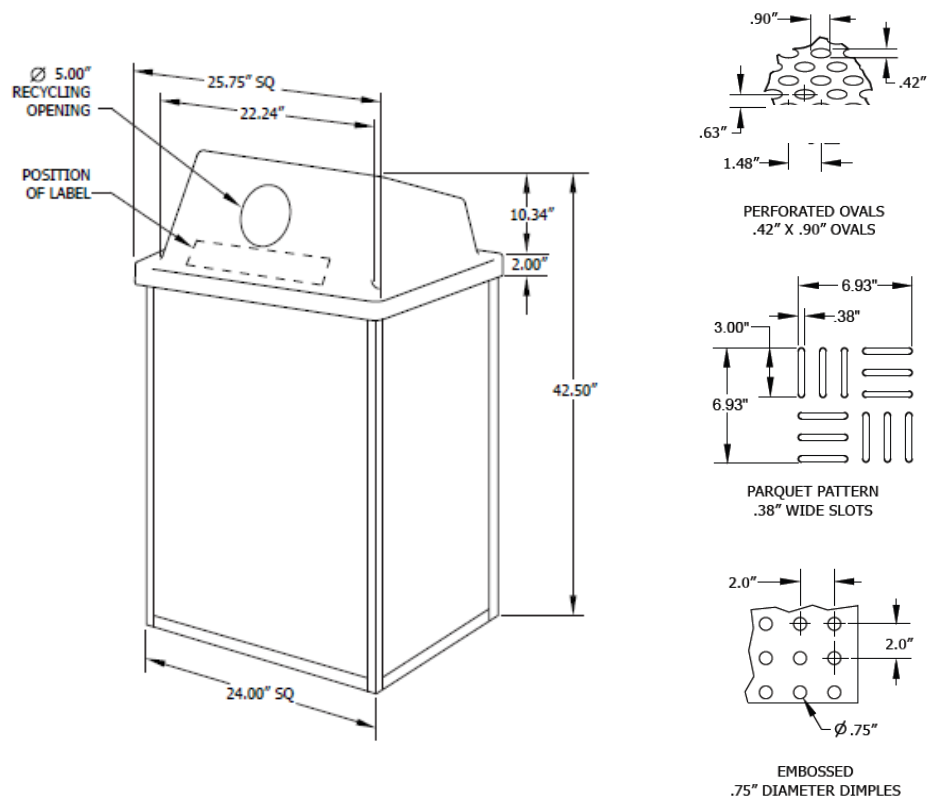
The receptacle ships fully assembled and ready for use. Using the optional hold down kit may require some assembly.

Maintenance

The product is virtually maintenance-free and requires only periodic cleaning with a sponge and a mild detergent and water solution to remove surface dirt. Do not clean with solvent or petroleum base products.

Warranty

20-year limited structural warranty with 7-year finish warranty against fading; 3-year finish warranty on powder coated steel components against rusting, peeling, chipping, cracking, mold, mildew and defects in materials and/or workmanship.



Best selection, lowest prices.

Call us for Quantity Discounts and Custom Designs!

800.664.5340 www.recycleaway.com