

L1378CT

32-gallon steel slat receptacle with contour top, plastic liner, and rubber feet



Material

The 32-gallon receptacle is 31.51" tall and is composed of 12-gauge slotted steel with a .75" gap vertical slotted pattern. The contour top is made of 18-gauge spun steel and features a 10" diameter center top opening. The top includes a 14" security strap and lifts off for easy trash removal.

The receptacle is designed to be portable for flexibility in placement or surface mounted using predrilled .38" diameter holes inside the base to prevent movement; optional corkscrew anchor also available. The rubber feet are adjustable to assist in leveling the receptacle. The reusable plastic liner is made of high-density polyethylene.

Finish

Steel slats are protected by the patented Fusion Advantage™ finish. The plastisol coating has an average thickness of .125" and is encapsulated with a richly tinted, high performance powder coating that won't rust, fade, peel, chip, crack, mold or mildew. The finish has been tested to the requirements of ASTM E1354 and determined to be in compliance with California Uniform Fire Code 1103.2.1.4.2.

Fade-resistant, powder coated steel top features a state-of-the-art primer proven to prevent rusting. Treated components exceed the industry standard by 34% in testing by independent sources.

Color

See website or sales representative for color choices.

Assembly

The receptacle ships fully assembled and ready for use. Using an optional corkscrew anchor may require some assembly.

Maintenance

The product is virtually maintenance-free and requires only periodic cleaning with a sponge and a solution of mild detergent and water to remove surface dirt. Do not clean with solvent or petroleum base products.

Warranty

20-year limited structural warranty with 7-year finish warranty from the date of purchase. S

Replacement Parts

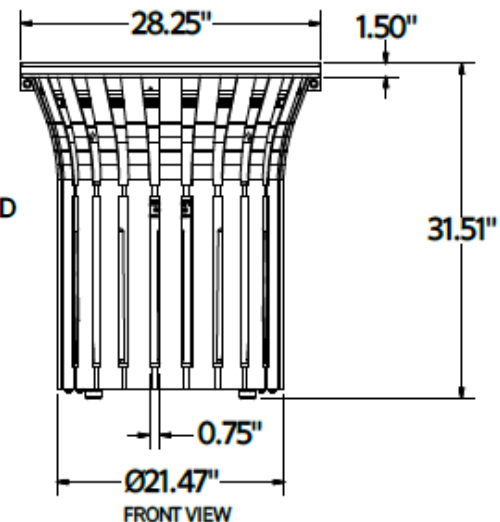
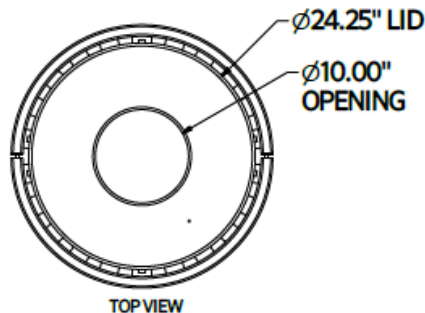
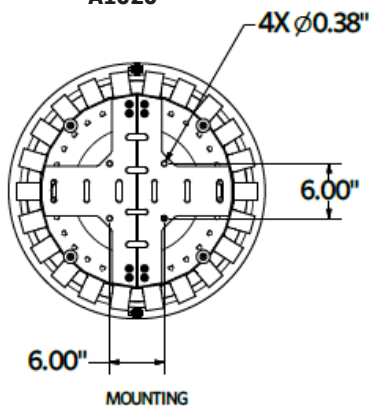
Black Plastic Liner

F1017

Accessories

Corkscrew Anchor

A1020



Best selection, lowest prices.

Call us for Quantity Discounts and Custom Designs!

800.664.5340 www.recycleaway.com