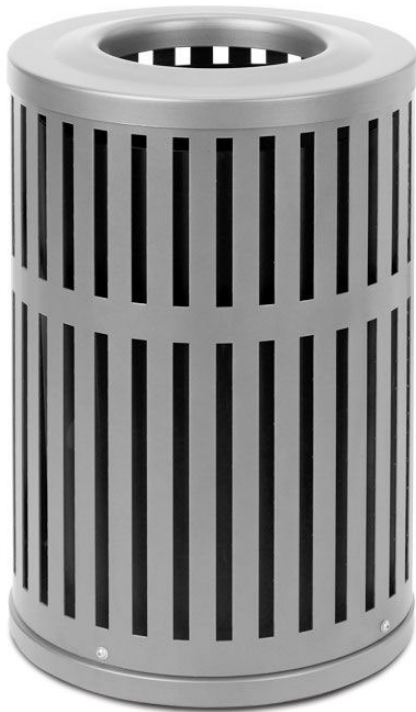


L2008

16-gallon steel slat receptacle with contour top, plastic liner, and rubber feet



Material

The receptacle is 26.93" tall and is composed of 12-gauge slotted steel with a .63" gap vertical slotted pattern. The contour top is made of 16-gauge galvanized steel with a 9" diameter center waste opening. The container lifts up for easy waste removal.

The receptacle is designed to be portable for flexibility in placement or surface mounted using predrilled 0.31" diameter holes inside the base to prevent movement. Mounting hardware is included. The rubber feet are adjustable to assist in leveling the receptacle. The reusable plastic liner is made of high-density polyethylene.

Finish

Fade-resistant, powder coated steel features a state-of-the-art primer proven to prevent rusting. Treated components exceed the industry standard by 34% in testing by independent sources.

Color

See website or sales representative for color choices.

Assembly

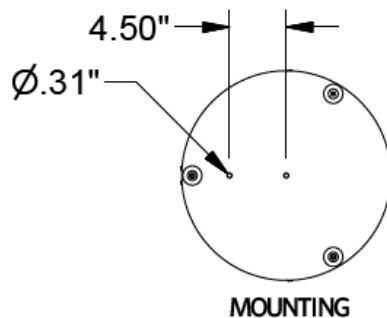
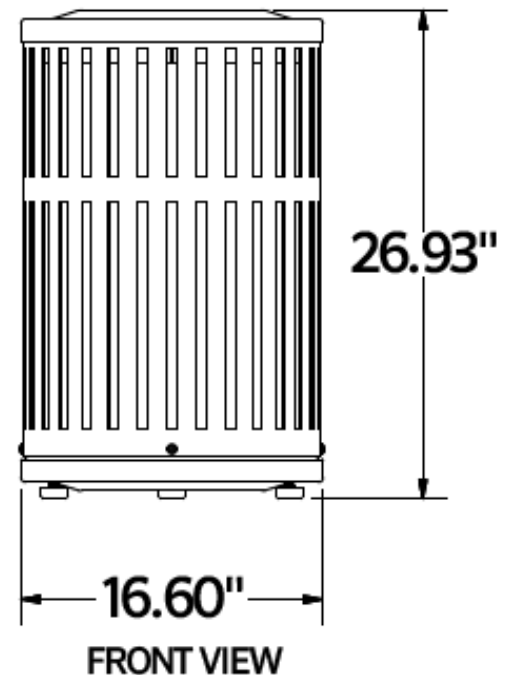
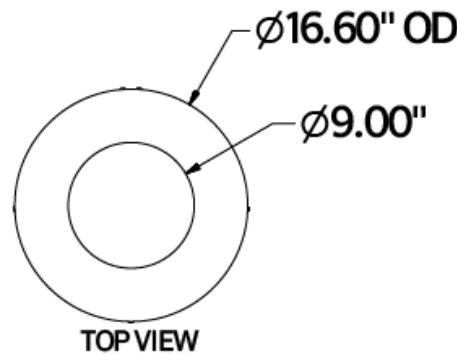
The receptacle ships fully assembled and ready for use.

Maintenance

The product is virtually maintenance-free and requires only periodic cleaning with a sponge and a mild detergent and water solution to remove surface dirt. Do not clean with solvent or petroleum base products.

Warranty

20-year limited structural warranty with 7-year finish warranty against fading; 3-year finish warranty on powder coated steel components against rusting, peeling, chipping, cracking, mold, mildew and defects in materials and/or workmanship.



Replacement Parts
Black Plastic Liner

R-PLS17PLR



Best selection, lowest prices.

Call us for Quantity Discounts and Custom Designs!

800.664.5340 www.recycleaway.com