

### PT4500

50-gallon polyethylene trash receptacle with plastic tilt-out removable bin



#### Material

The receptacle is 45" tall and is made of rotomold plastic with a .38" wall thickness and comes with a foot that is raised for drainage. The enclosure features an integrated rain bonnet to keep out the elements and a removable bin that slides out for easy trash removal. Removable bin features a molded-in recycling graphic in white. Receptacle features a cam lock and key to secure the removable bin to the frame enclosure; also includes a galvanized steel trash bag holder.

The receptacle is designed to be portable for flexibility in placement or surface mounted using pre-drilled holes in the enclosure foot to prevent movement; optional corkscrew anchor is available. The reusable plastic liner is made of high-density polyethylene.

The receptacle is impervious to moisture and impact- and corrosion-resistant.

For quantities of 50 or more, the customer may submit a custom design to be molded onto the surface of the receptacle. This design may be up to 8" tall and is available in white only. A one-time set-up fee is applied for the custom design.

#### Finish

Receptacle does not require the application of sealants or preservatives.

#### Color

See website or sales representative for color choices.

#### Assembly

The receptacle ships fully assembled and ready for use. Using an optional corkscrew anchor may require some assembly.

#### Maintenance

The product is virtually maintenance-free and requires only periodic cleaning with a sponge and a mild detergent and water solution to remove surface dirt. Do not clean with solvent or petroleum base products.

#### Warranty

5-year limited structural warranty from the date of purchase.

#### Replacement Parts

Trash Bag Holder WIR2546

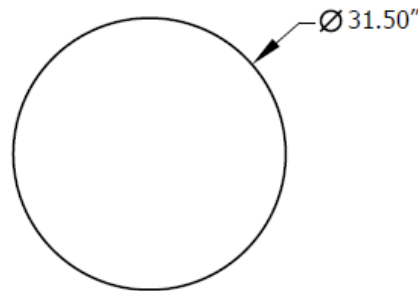
Tan Removable Bin R-PT4500LINER1

Taupe Removable Bin R-PT4500LINER2

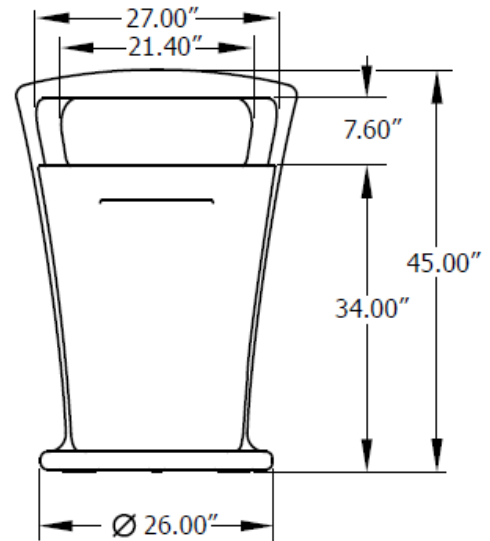
Black Removable Bin R-PT4500LINER3

#### Accessories

Corkscrew Anchor A1021



TOP VIEW



Best selection, lowest prices.

Call us for Quantity Discounts and Custom Designs!

800.664.5340 [www.recycleaway.com](http://www.recycleaway.com)