

RCPWOT

45-gallon receptacle with recycled plastic slats, plastic liner, and rubber feet



Material

The 45-gallon receptacle is 32.71" tall and is composed of .75" x 3.5" (1" x 4" nominal dimensions) recycled plastic slats which are supported by an extruded aluminum frame.

The top is made of 14-gauge steel and features an 11" diameter center top opening for easy trash disposal. The top lifts off for easy trash removal and includes dual stainless steel security cables.

The receptacle is designed to be portable for flexibility in placement and feature rubber feet to protect the floor. The reusable plastic liner is made of high-density polyethylene.

The planks are made of 95% recycled content by weight and are impervious to moisture and corrosion, do not require the application of sealants or preservatives, and will never need painting or staining throughout the product's life.

Finish

Fade-resistant, powder coated steel frame features a state-of-the-art primer proven to prevent rusting. Treated components exceed the industry standard by 34% in testing by independent sources.

Color

See website or sales representative for color choices.

Assembly

The receptacle ships fully assembled and ready for use.

Maintenance

The product is virtually maintenance-free and requires only periodic cleaning with a sponge and a solution of mild detergent and water to remove surface dirt. Do not clean with solvent or petroleum base products.

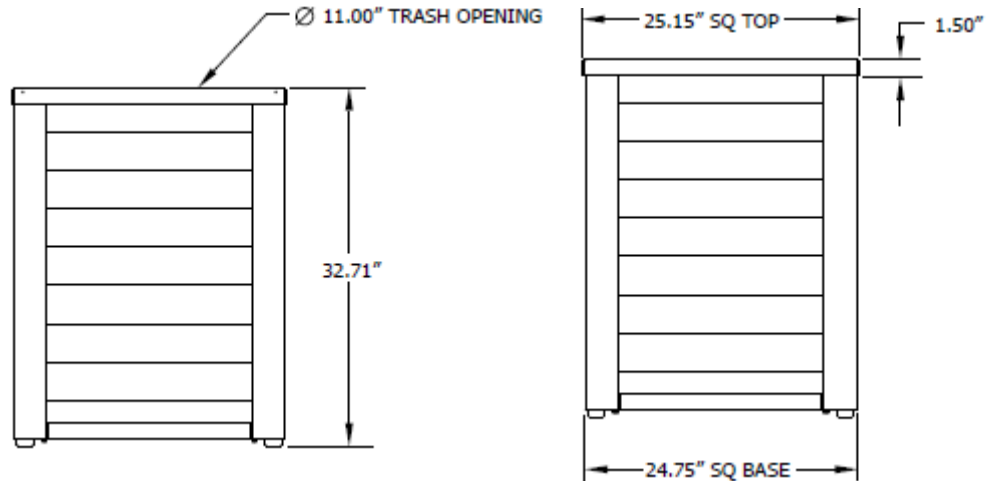
Warranty

20-year limited structural warranty on recycled plastic from the date of purchase.

Replacement Parts

Black Plastic Liner

P48PLR



Best selection, lowest prices.

Call us for Quantity Discounts and Custom Designs!

800.664.5340 www.recycleaway.com