

## TR35VBT

**35-gallon receptacle with recycled plastic slats, visor hood top, plastic liner, and rubber feet**



### Material

The receptacle is 39.24" tall and is composed of 5" x 2.5" recycled plastic slats and 12-gauge steel side panels. The recycled plastic slats are attached to three inner steel bands for maximum support.

The top is made of 14-gauge galvanized steel and features a 6" tall and 15.33" wide waste opening on each side covered by a visor to keep weather out. The top includes a 14" web security strap and lifts off for easy waste disposal.

The receptacle is designed to be portable for flexibility in placement or surface mounted using pre-drilled holes inside base to prevent movement. The rubber feet are adjustable to assist in leveling the receptacle. The reusable plastic liners are made of high-density polyethylene. Mounting hardware is not included.

The planks are made of 95% recycled content by weight and are impervious to moisture and corrosion, do not require the application of sealants or preservatives, and will never need painting or staining throughout the product's life. Recycled plastic is eligible for LEED points.

### Finish

Fade-resistant, powder coated steel components feature a state-of-the-art primer proven to prevent rusting. Treated components exceed the industry standard by 34% in testing by independent sources.

### Color

See website or sales representative for color choices.

### Assembly

The receptacle ships fully assembled and ready for use.

### Maintenance

The product is virtually maintenance-free and requires only periodic cleaning with a sponge and a mild detergent and water solution to remove surface dirt. Do not clean with solvent or petroleum base products.

### Warranty

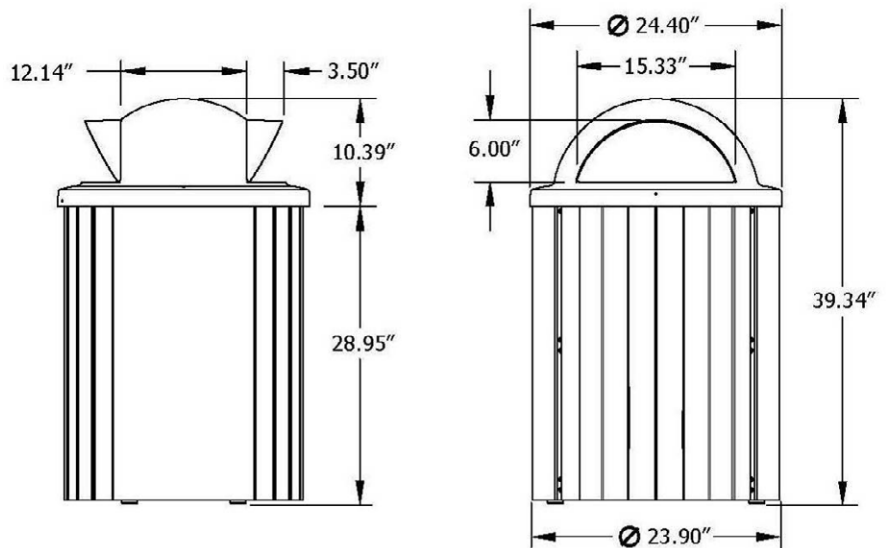
20-year limited structural warranty on recycled plastic from the date of purchase.

### Replacement Parts

Black Plastic Liner R-DOM1015  
Visor Hood Top F3209

### Accessories

Ash/Trash Top R-S518  
Bonnet Top F3202  
Bonnet Ash Top F3203  
Open Top R-S625  
Open Hood Top F3207  
Dome Recycler Top F3205  
Visor Recycler Top F3206



**Best selection, lowest prices.**

Call us for Quantity Discounts and Custom Designs!

800.664.5340 [www.recycleaway.com](http://www.recycleaway.com)