

Other Barrel Lids



Flat



Bug Barrier



Canopy



Dome



Pyramid



Swing

Recycling Barrel w/Funnel Lid

Now available in a variety of lids, the Recycling and Waste Barrel is the perfect solution for creating an attractive recycling system for any indoor or outdoor settings. Each recycling station is totally customizable with options for colors, and restricted openings that match your recycling program requirements. To minimize your environmental footprint, Recycle Away's Sustainability Series recycling stations are manufactured from high-grade plastic lumber made from recycled milk jugs.

Best selection, lowest prices.

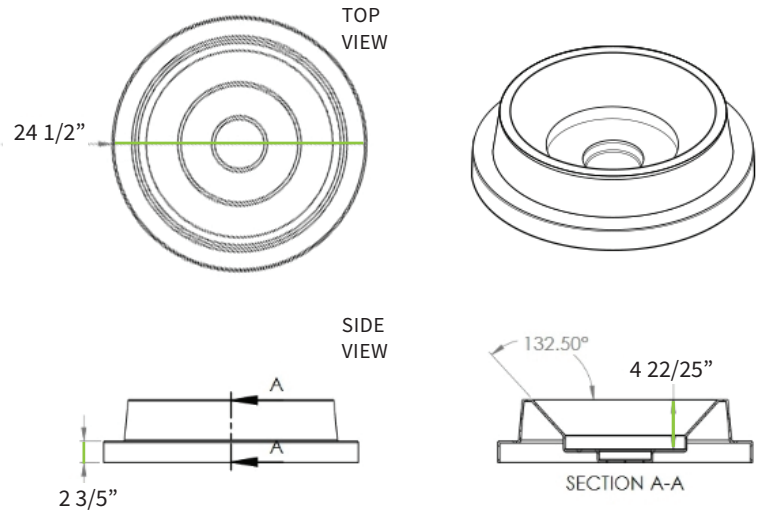
Call us for Quantity Discounts and Custom Designs!

800.664.5340 www.recycleaway.com

Recycling Barrel Funnel Lid

FEATURES

- Constructed with 97% pure Type 2 recycled plastic.
- Each unit comes with heavy duty liners with handles for easy servicing and lifting.
- Designed for both indoor and outdoor use, and meets all LEED requirements for recycled content, are ADA-compliant and fire safe.
- Our lumber lasts for decades and thanks to our full line of engineered products built with commercial-grade building techniques.
- The lumber won't absorb moisture, rot, or harbor insects. It offers many of the characteristics of wood but requires virtually no maintenance!
- Concrete and turf anchor kits available
- Made in USA



PLASTIC LUMBER CONSTRUCTION:

HDPE (#2) Recyclables



Crushed & Ground Flakes



Melted Pellets



Extruded Material



Type 2 Material is impervious to insects, moisture and mold. Meaning it won't rot, splinter, or become dinner for pests as wood often does. Added UV inhibitors keep its colors stable while bonding agents create complete molecular linkage for optimum structural integrity.

- Manufactured from high-grade of recycled HDPE and, unlike other plastic recycling centers, contains no foam fillers.
- Top of the line pigments and UV inhibitors are used to maintain color for decades

LID COLORS:



Black

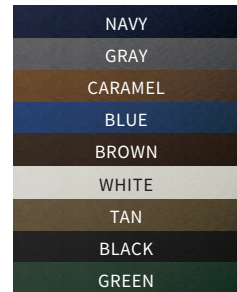


Blue



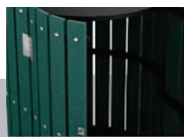
Green

BARREL COLORS:



BARREL SIZES:

Capacity	Dimensions	Weight
35 Gal	23.75"d x 31.5"h	48 Lb
45 Gal	23.75"d x 38.75"h	58 Lb
55 Gal	27"d x 38.75"h	67 Lb



Reinforced Doors

To prevent warping due to changing weather environments



Labels

Slat labels clearly identify waste streams help identify openings and reduce cross contamination



Secure Lid Cable

Braided steel cable with locking grip securely fastens lid to receptacle



Inner Liner

Included heavy duty liners with handles for easy servicing and lifting



Concrete Anchor Kit

Attach containers securely to concrete surfaces



Turf Anchor Kit

Secure containers to the ground and prevent theft

Best selection, lowest prices.

Call us for Quantity Discounts and Custom Designs!

800.664.5340 www.recycleaway.com