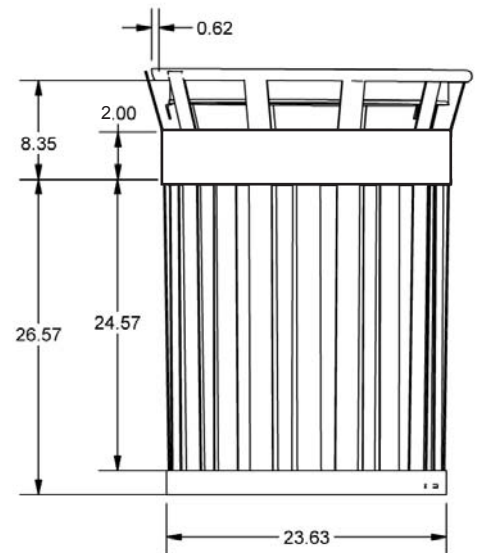


Top View



Dimensions represent can only lid accounted for separately

Product Features

- Made from 1/8" X 2" galvanized steel slats
- TGIC Polyester Powder Coat outdoor finish
- Material is chemically prepared and zinc rich primed prior to paint
- Available in three standard colors: Black (PMS # 6C), Blue (PMS # 294) or Green (PMS # 346C)
- Custom colors available upon request
- Unit comes Standard with 3 Stainless Steel Leveling Feet, Anchor Kit, and Lid Attachment Kit
- Black high density polyethylene rigid plastic liner
- Available with one 40 gallon or 2 -19 gallon liners
- Multiple lid configurations to choose from:
Flat Top openings available: hole/hole, hole/slot or slot/slot – 4" diameter hole or 2" x 7" slot

Item Number	Capacity	Dimensions	Weight	Finishes
MR36-FTR	40 gallons	27¼" dia. x 35"H	95 lbs	Black (BK), Green (GN), Blue (BL)

REV022011